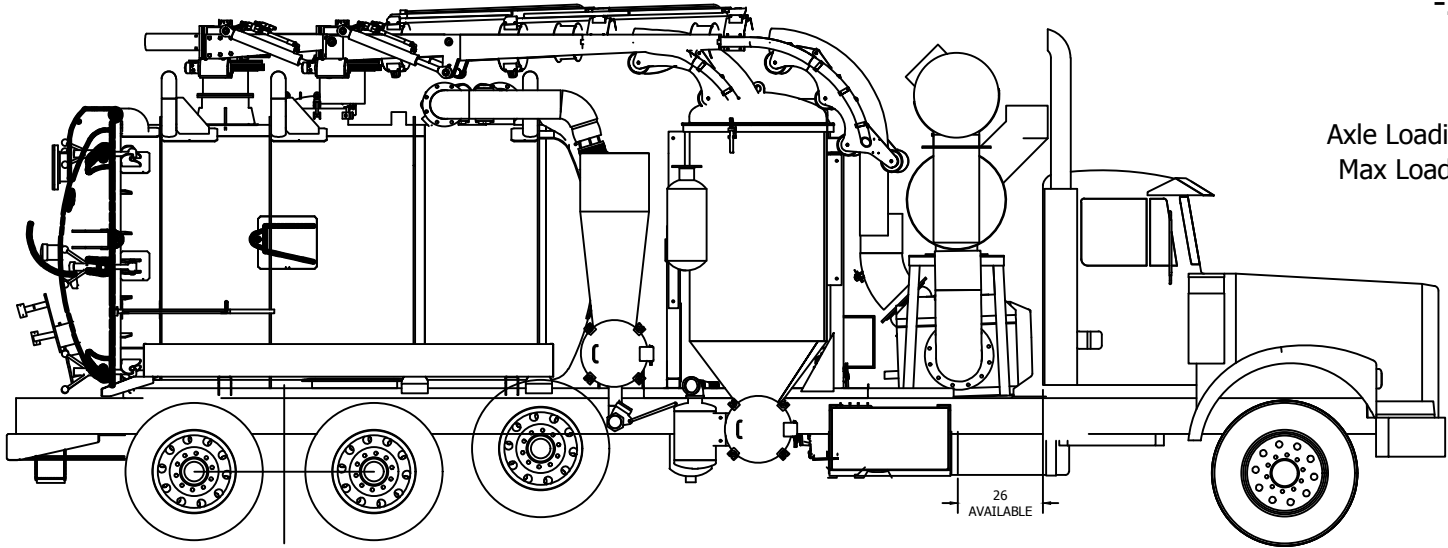


Mastervac 5327  
 3000USG chassis:  
 -232" CA Tandem w/ Pusher



	FRONT	REAR (LB)
Axle Loading, pusher down:	18400	42150
Max Loading (Bridge Law):	20000	42500

payload (Bridge Law): 12300  
 GVW (Bridge Law): 60500  
 Overturn Limit: 60000  
 GVWR: 78350

