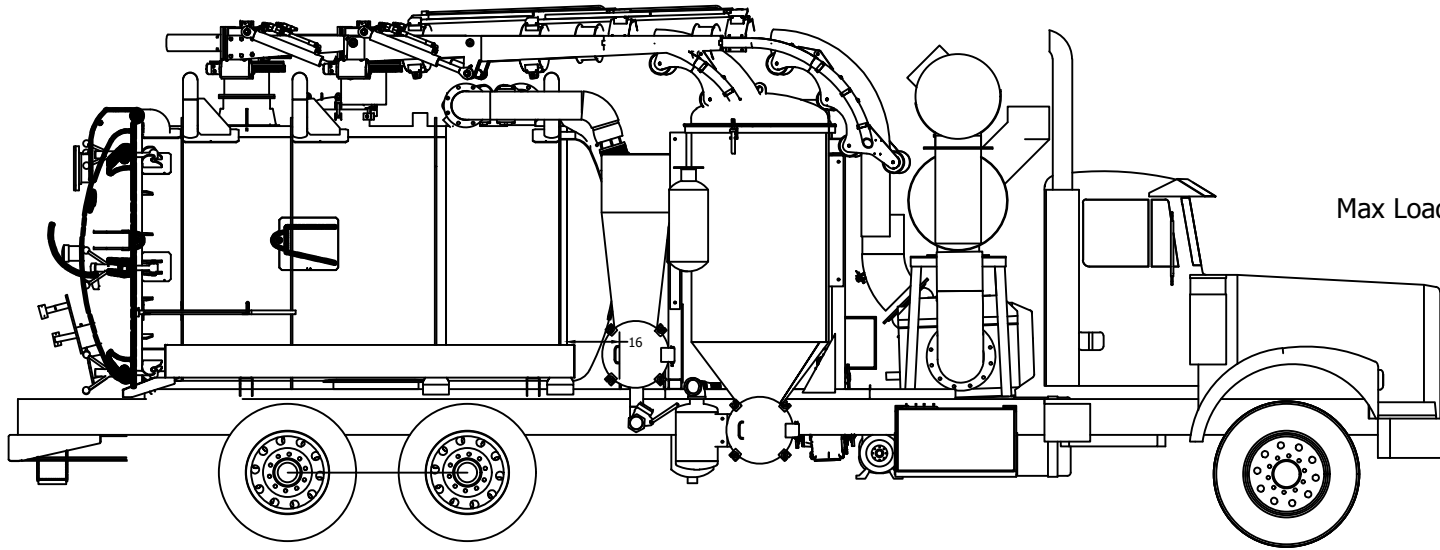


Mastervac 5327  
3000USG chassis:  
-205" CA Tandem



	FRONT	REAR (LB)
Axle Loading:	17660	34000
Max Loading (Bridge Law):	20000	34000

payload (Bridge Law): 5300  
GVW (Bridge Law): 55500  
Overturn Limit: 60000  
GVWR: 66000

