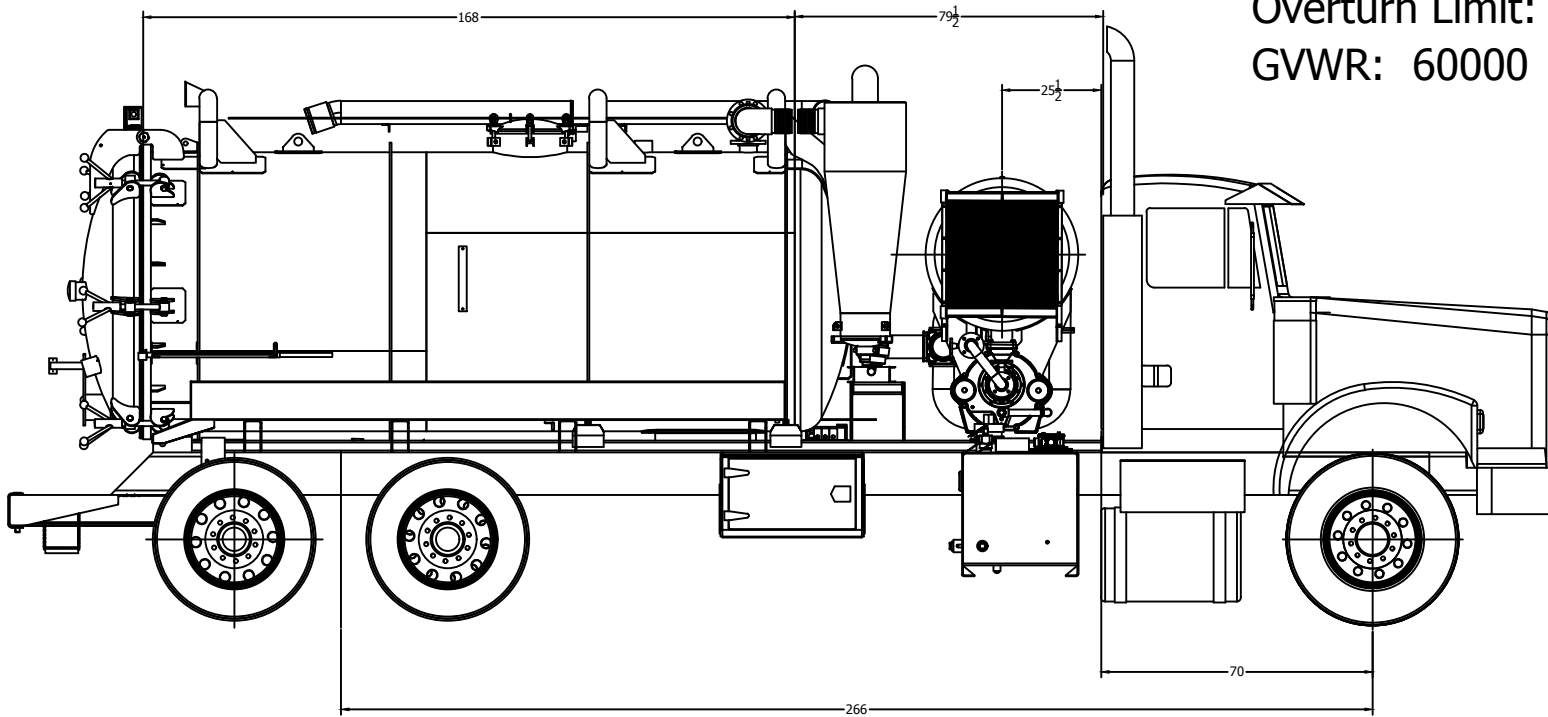


	FRONT	REAR (LB)
Axle Loading:	16670	34000
Max Loading (Bridge Law):	20000	34000
payload (Bridge Law): 18000		
GVW (Bridge Law): 54000		
Overturn Limit: 60000		
GVWR: 60000		



.Liquid Ring, Samson\2015 LIQUID RING DOT6.bmp		LAYOUT	DJC	24/04/2015	FULL	N/A
		LIQUID RING 3150USC				N/A
		7 OF 8				01