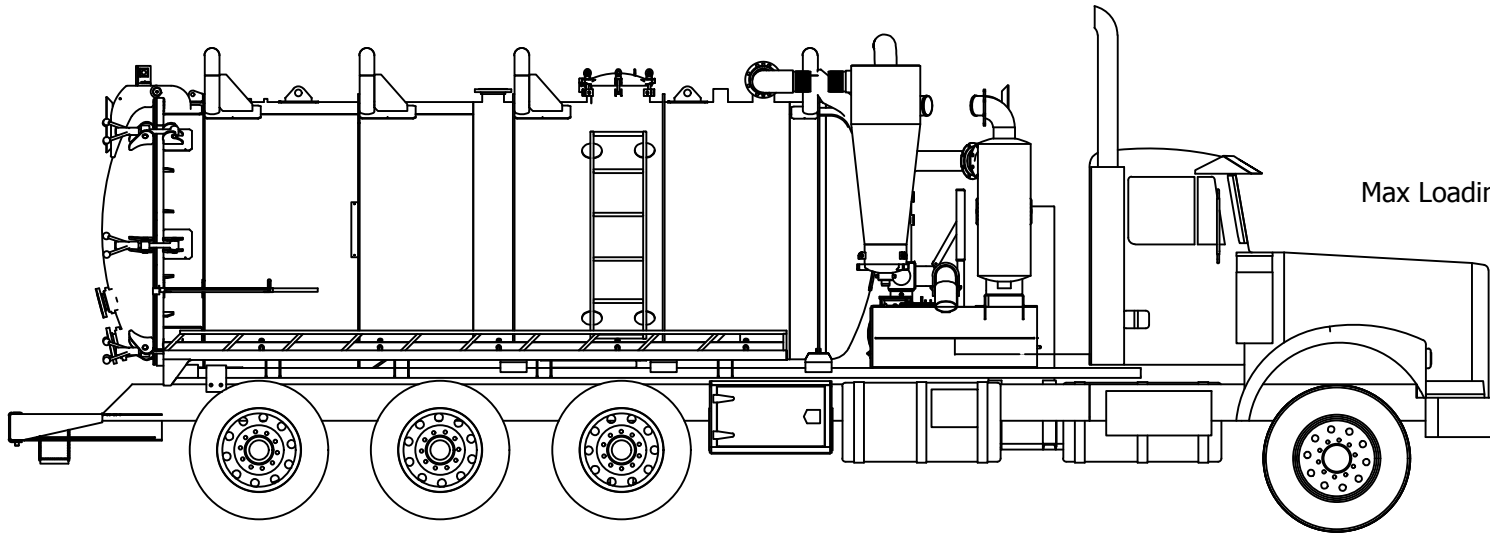


Duravac 4400 USG 197" CA



	FRONT	REAR (LB)
Axle Loading:	16880	42500
Max Loading (Bridge Law):	20000	42500
payload (Bridge Law):	17200	
GVW (Bridge Law):	60000	
Overturn Limit:	80000	
GVWR:	80000	

